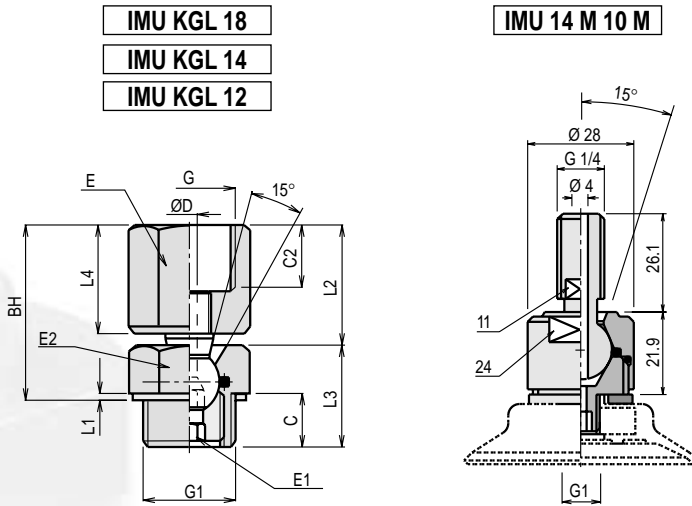


# Axial ball joints, series IMUKGL, IMU



## Applications:

Ball joints in series IMU and IMUKGL are recommended for the gripping of **dished products** or **rotating products**.

Fitted on a flat suction cup, they transmit more force than a bellows type suction cup.

Model IMU 14 M10M is designed to be fitted on suction cups in series VPG 60 to 95.

## Characteristics:

Models	C2 mm	D mm	C mm	G = G1	L1 mm	L2 mm	L3 mm	L4 mm	E mm	E1 mm	E2 mm	BH mm	L7 mm	A.F.* N
IMUKGL 18	8.5	2	7	1/8"gas	1.5	15	17	13.5	14	-	14	26.5	-	15
IMUKGL 14	12	3.5	10	1/4"gas	1.5	22	24	19.5	19	-	19	37.5	-	75
IMUKGL 12	14	4	12	1/2"gas	1.5	27.5	23	24.7	24	6	24	40	-	125
IMU 14 M10M	19	4	9.5	M10	7	30	30	-	17	24	5	36.5	3.5	100

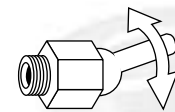
A.F.\*: Axial force of the ball joint (maximum possible load) in daN with a safety factor of 2 inclusive

## Specifications:

Ball joint material	Zinc-plated steel and brass
Seal material	Nitrile (NBR)

## Accessories:

Ball joints in series IMUKGL are fitted on spring systems in series TS 2-3.



IMU — 1

Suction cup coupling	
KGL 18	1/8 Gas
KGL 14	1/4 Gas
KGL 12	1/2 Gas

Suction cup coupling	
14M10M	M10

Dimensions and characteristics may be modified without notice.